

3.5 x 4.5mm Tact Switch (Vertical, SMT Type)

TSG-1K/1LS-XXX




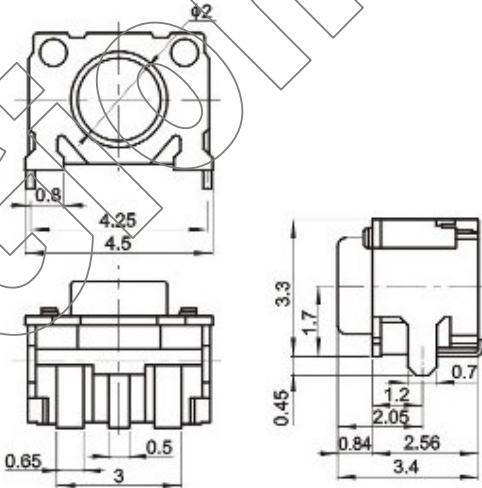
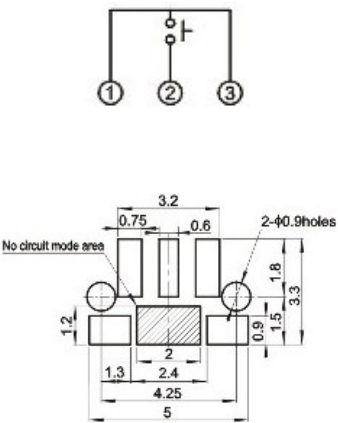
TS - Tact Switch
 G - G Series
 1K / 1L - Type
 S - SMT Type
 XXX - Action Force (gram)
 H - With Post (Optional)

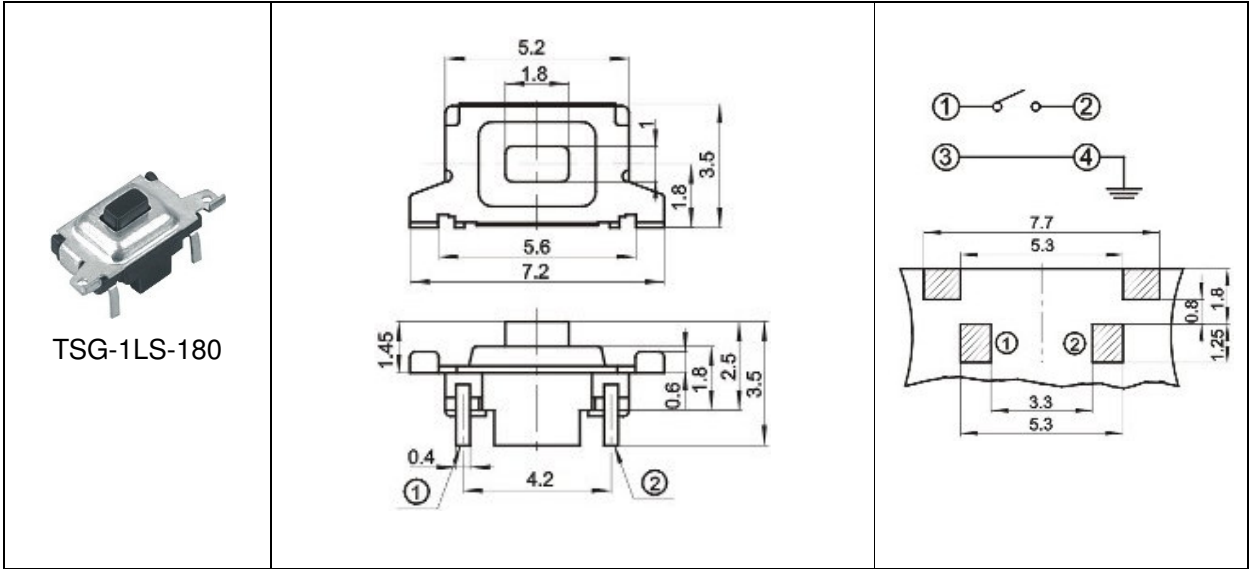
SPECIFICATIONS

Mechanical Life: 100,000 cycles
 Operating Force: 180g±50g
 Travel: 0.2±0.1mm
 Rating: 50mA 12V DC
 Dielectric withstanding: 250V AC/minute
 Insulator resistance: ≥ 100 MΩ at 100V
 Contact resistance: ≤ 100 mΩ/Contact
 Operating temperature: -30°C ~ +85°C
 Storage temperature: -40°C ~ +85°C

Material

Base: LCP, UL94V-0
 Contact material: Phosphor Bronze
 Contact Spring Plating: Stainless Steel/Silver Plating

Physical Picture	Outline Drawing	Circuit / Footprint
 <p>TSG-1KS-180H</p>		



GionTech